



Special Winter Clearance 2011



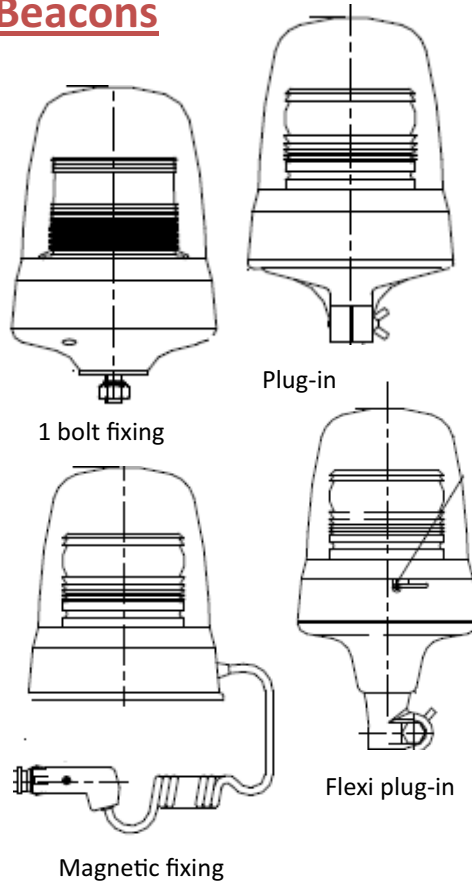
Double Flash Xenon Beacons

With A Choice

Of Fixing Types



3 bolt fixing



- * Double Flash.
- * EMC Approved.
- * High Powered Warning.
- * Interchangeable with Britax 270, 290 & 390 Series
- * New Internal Fresnel Lens.
- * *Available While Stocks Last.*

Plug in type beacons require a 13109 series mounting bracket.

Magnetic type beacon is for vehicle speeds up to 50mph (80kph)

Part Number	Fixing Type	For 'Special Prices' Please contact your local Britax distributor
B290.00.DV	3 bolt fixing.	
B291.00.DV	1 bolt fixing	
B292.00.DV	Plug-in	
B294.00.DV	Magnetic	
B295.00.DV	Flexi Base Plug-in	

For more information, contact: Britax PMG Limited



Tel: +44 (0)1262 670161

Fax: +44 (0)1262 605666

Email: info@britax-pmg.com

www.britax-pmg.com